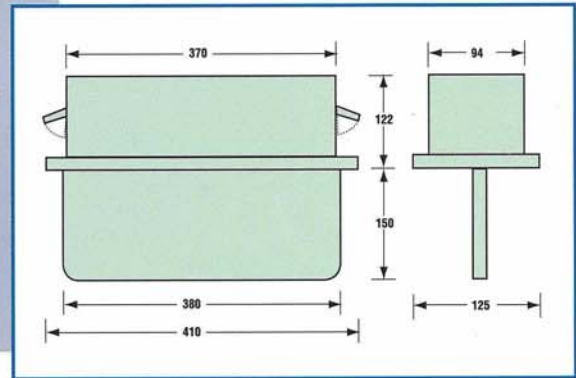
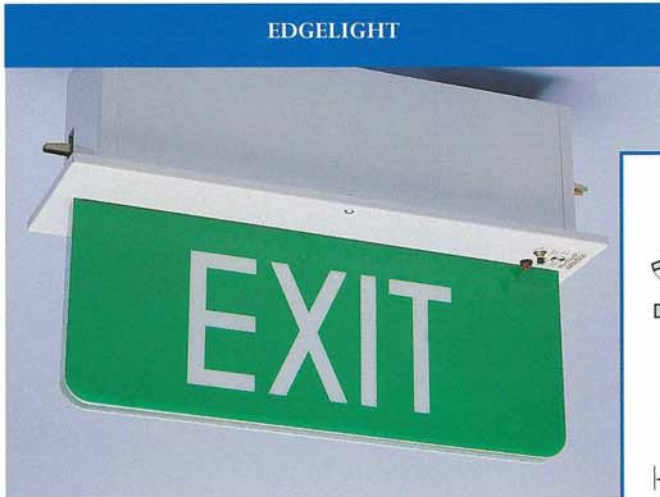


# E D G E L I G H T

The only edgelight Exit that neither compromises legal standards or aesthetics. It's unique diffractive panel gives superb uniform illuminance and a surprising degree of downward light output. Comes standard as recessed (pictured) or surface mounted. CATS II monitored version available.



<b>CATALOGUE NUMBER:</b>	STANDARD/RECESSED:	<b>NON-MAINTAINED</b>	<b>MAINTAINED</b>
	SURFACE MOUNTED:	<b>EL010/5-11</b>	<b>EL110/5-11</b>
	CATS II:	<b>ELS010/5-11</b>	<b>ELC110/5-11</b>

**SPECIFICATIONS:**

SUPPLY:	240V±5% 50Hz .06A. 14.5VA
LAMP:	Fluorescent 10W T8
BATTERY:	Nickel Cadmium high temperature to 70°C
CHARGER:	Two rate - high C/10 low C/20
CASE:	White enamelled zincseal steel with Quick Fix flipout brackets
CUTOUT SIZE:	Maximum ceiling thickness 20mm (375 ±2m Lx100 ±2m w.)
DIFFUSER:	Acrylic diffractive panel striated for uniform illumination - Silk screened
REFLECTOR:	White painted zincseal steel
STANDARD:	Charge indicator LED and test switch
GUARANTEE:	Against faulty parts or workmanship - 3 years
SERVICE:	White Lite operates a service section to fully service any White Lite fitting
COMPLIANCE:	AS/NZS 2293.1 1995, Building code of Australia 1990, S.I.S.I.R. CP19
CERTIFICATION:	Co B5 C90 C6.3 See Information Sheet for spacings table.

CEILING MOUNTED SINGLE SIDED				CEILING MOUNTED DOUBLE SIDED			
5	6	7	8	9	10	10	11



Head Office:

42 Beaumont Road Mt Kuring-gai NSW 2080 Australia PO Box 47 Mt Kuring-gai NSW 2080 Australia  
 PHONE: +61 2 9457 8877 FAX: +61 2 9457 9596

CATS II MONITORING AVAILABLE

