

ELIPS RECESSED & SURFACE



WL 2130/5 Recessed 8W

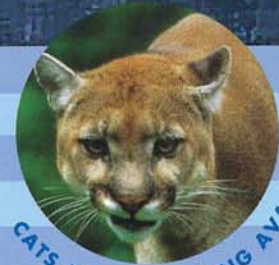


WL 2100/5 Surface 8W

The slim lines of the Elips luminaires give a light, unobtrusive appearance. The luminaires are available in a surface or recessed mounted version for ceilings and walls. They can be wall mounted (vertically). Made from lightweight aluminium, the units are fitted with **T2** 8 watt high output fluorescent lamps. Self contained versions have remote emergency power packs.

SPECIFICATIONS:

SUPPLY:	240V±5% 50Hz 0.1A 23VA (8W)	
LAMP:	Fluorescent T2 8, 11 & 13W Maintained and Non Maintained	
BATTERY:	Nickel Cadmium high temperature 70°C (Remotely mounted)	
CHARGER:	Single or Dual rate	
CASE:	Aluminium Profile	
CUTOUT SIZE:	Surface: Optional	Recessed: 8W 100x370mm (see reverse)
REFLECTOR:	Brightened Alloy, High Reflectivity	
STANDARD:	Charge indicator LED and test switch	
GUARANTEE:	Against faulty parts or workmanship - 12 Months	
SERVICE:	White Lite operates a service section to fully service any White Lite fitting	
COMPLIANCE:	AS/NZS 2293.1 1995, Building code of Australia 1990, S.I.S.I.R. CP19	
CERTIFICATION:	See approved list for details.	
CATALOGUE NUMBER:	See reverse	



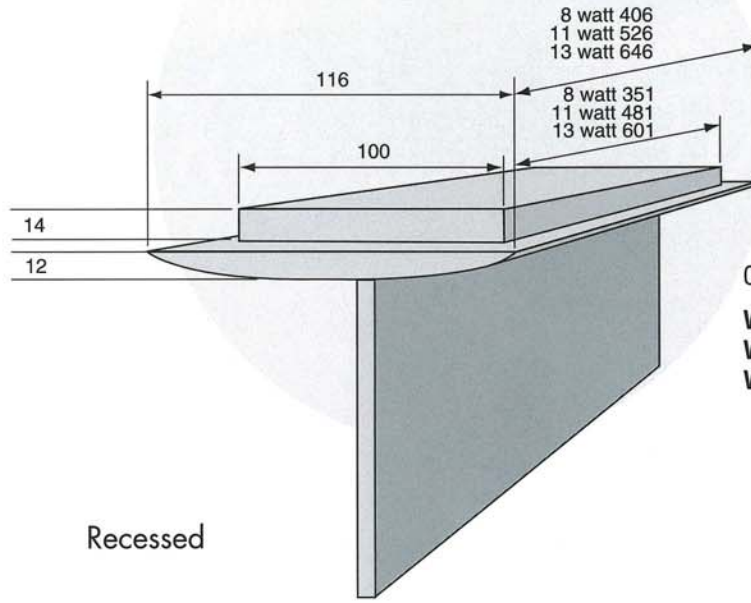
CATS 11 MONITORING AVAILABLE



WHITE LITE INDUSTRIES

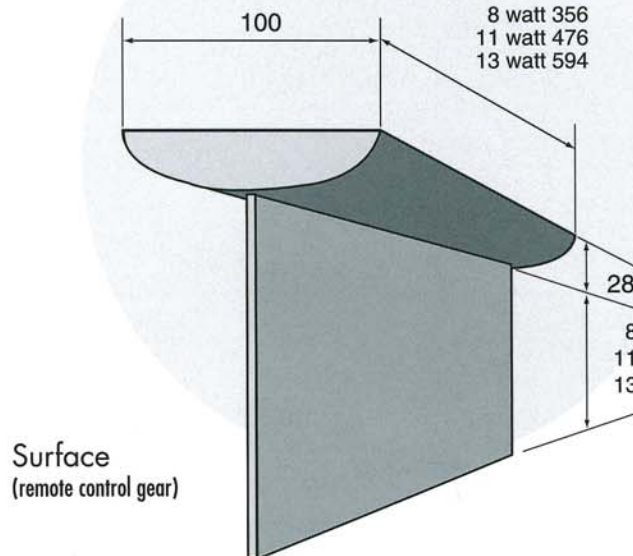
42 BEAUMONT ROAD MOUNT KURING-GAI NSW 2080 AUSTRALIA
 PHONE: +61 2 9457 8877 FAX: +61 2 9457 9596

Elips



Catalogue Numbers:

- WL 2130** Maintained 8W
- WL 2140** Maintained 11W
- WL 2150** Maintained 13W



Catalogue Numbers:

- WL 2100** Maintained 8W
- WL 2110** Maintained 11W
- WL 2120** Maintained 13W

All self contained units are supplied with remote control gear boxes. Sizes vary with configurations required. Box dimensions are available upon application.