



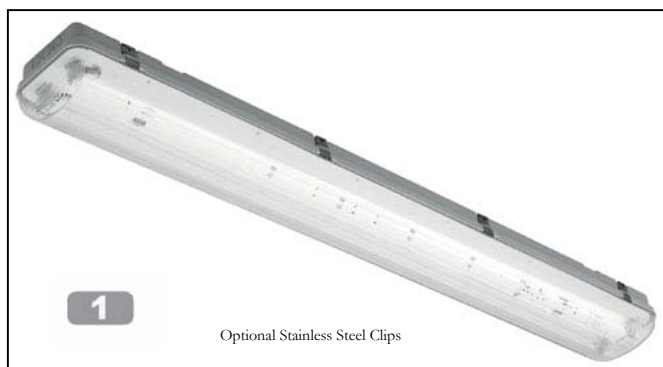
# White Lite Industries

www.white-lite.com.au

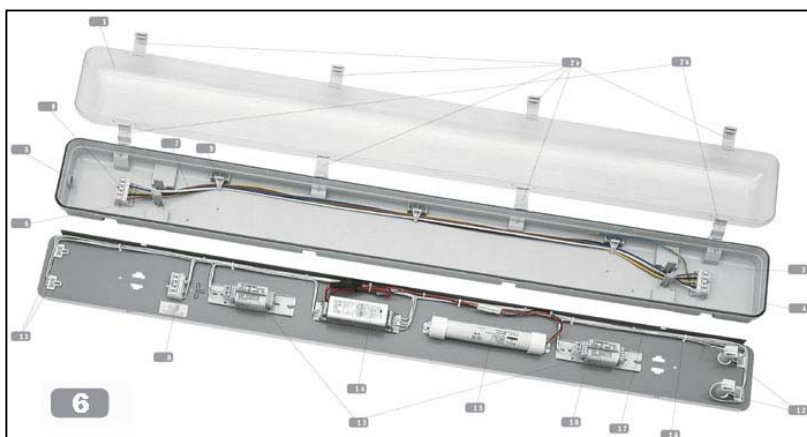
sales@white-lite.com.au

## Hurricane Corrosion Proof IP65

The most up to date production techniques result in White Lite's new corrosion proof luminaire. Available in both T8 and a comprehensive range of new T5 fluorescent lamp ratings, the Hurricane will withstand the toughest scrutiny for specification and general use. Designed to provide excellent mains and emergency lighting for all out door areas, heavy dust laden, corrosive seaside and tropical humid locations. The fitting is available for both normal mains voltage and all emergency configurations to suit individual project needs. CATS II monitoring available.



1. Twin 36W Large Hurricane
2. Single 18W Small Hurricane
3. Optional Ceiling/Wire suspension Clip
4. Polycarbonate Diffuser Clip
5. Optional Stainless Steel Clip
6. Twin 36W Large Hurricane Emergency Layout



SUPPLY	240V±5% 50Hz		
BATTERY	NiCad High Temperature to 70°C	3.6V 4AH	4.8V 4AH
CASE	Light Grey UV Stabilised Polycarbonate		
REFLECTOR	White Powder Coated zincseal steel		
DIFFUSER	UV Stabilised injection moulded Polycarbonate with internal linear refractors and prismatic controllers		
OPTIONS	Ceiling Suspension, Stainless steel clips, 3 or 4 hour duration		
GUARANTEE	12 Months against faulty parts or workmanship		
COMPLIANCE			
CERTIFICATION			



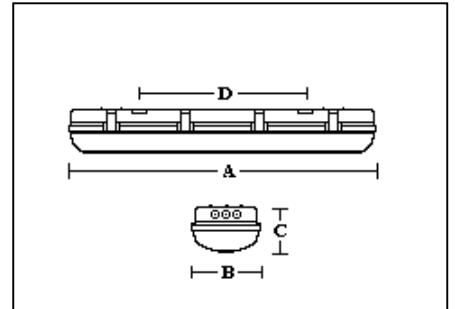
BODY CODE	A x B x C (mm)	D (mm)	Gross (kg)		LAMP COMBINATION	BALLAST TYPE	EMERGENCY
			LL	ECG			
HCP1118	660 x 100 x 101	490	2.0	1.7	1 x 18 T8	LL/ECG	X
HCP1114					1 x 14 T5	ECG	✓
HCP1214					2 x 14 T5	ECG	✓
HCP1124					1 x 24 T5	ECG	✓
HCP1224					2 x 24 T5	ECG	✓
HCP2136	1270 x 100 x 101	918	3.0	2.7	1 x 36 T8	LL/ECG	✓
HCP2128					1 x 28 T5	ECG	✓
HCP2228					2 x 28 T5	ECG	✓
HCP2154					1 x 54 T5	ECG	✓
HCP2254					2 x 54 T5	ECG	✓
HCP4218	660 x 160 x 101	490	3.0	2.1	2 x 18 T8	LL/ECG	✓
HCP4318					3 x 18 T8	ECG	X
HCP4214					2 x 14 T5	ECG	✓
HCP4224					2 x 24 T5	ECG	✓
HCP4314					3 x 14 T5	ECG	✓
HCP4324	3 x 24 T5	ECG	✓				
HCP5236	1270 x 160 x 101	918	4.2	3.3	2 x 36 T8	LL/ECG	✓
HCP5336					3 x 36 T8	ECG	✓
HCP5228					2 x 28 T5	ECG	✓
HCP5254					2 x 54 T5	ECG	✓
HCP5328					3 x 28 T5	ECG	✓
HCP5354	3 x 54 T5	ECG	✓				

ECG – Electronic Ballast

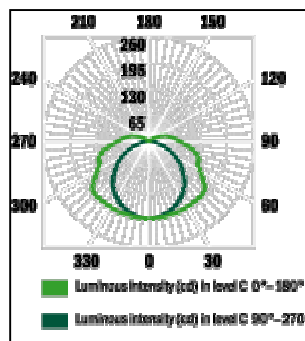
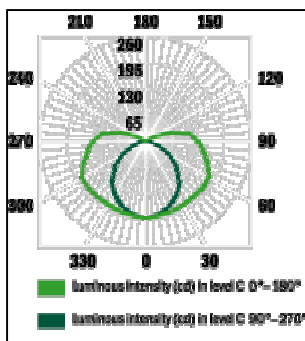
LL – Low Loss Ballast



Ultra tough Polycarbonate



Dimensions



IP65 Certification

ABN: 69 000 123 508

Unit 5-7/42 Beaumont Road Mt Kuring-gai NSW 2080

61 2 9457 8877 61 2 9457 9596

sales@white-lite.com.au www.white-lite.com.au

