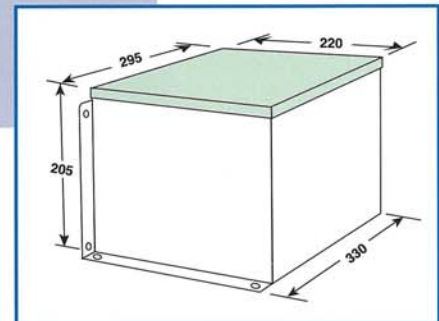
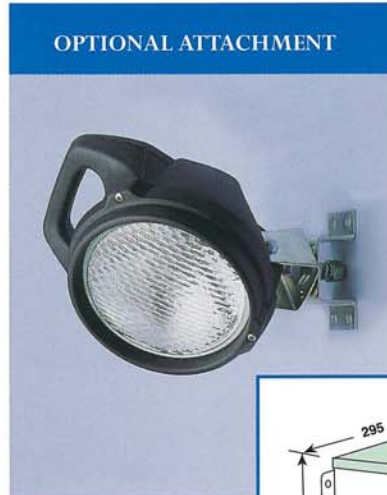
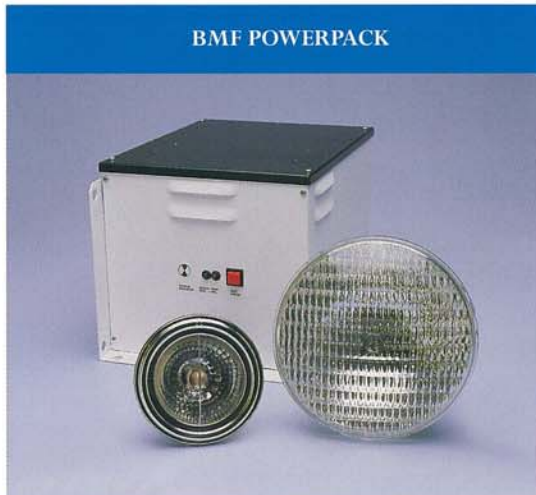


# BMF HIGH OUTPUT 12VDC EMERGENCY POWERPACK

This high output self-contained emergency powerpack can drive single or multiple lamps which can also be mounted. The optional single flood for greater versatility is illustrated. CATS II monitored version available.



**CATALOGUE NUMBER:** LEAD ACID  
RC 120 NON-MAINTAINED

## SPECIFICATIONS:

|                        |   |
|------------------------|---|
| SUPPLY:                | 240V±5% 50Hz .20A. 60VA   |
| LAMP:                  | Up to 120W load, typical: 2x50W Dichroic. 1x120W Par 36                       |
| BATTERY:               | Lead Acid 12V 38AH  |
| CHARGER:               | Constant potential - taper charge   |
| CASE:                  | White enamelled zincseal steel  |
| LAMP HEAD (if fitted): | Injection moulded, fire retardant ABS with glass lens                         |
| STANDARD:              | Charge indicator LED and test switch  |
| OPTIONAL EXTRAS:       | Adjustable high power flood beam units, up to 120W lamp                       |
| GUARANTEE:             | Against faulty parts or workshop - 12 months                                  |
| SERVICE:               | White Lite operates a service section to fully service any White Lite fitting |
| COMPLIANCE:            | AS/NZ 2293.1 1995, Building code of Australia 1990, S.I.S.I.R. CP19           |
| WEIGHT:                | 25 kilos ( powerpack only )   |



Head Office:

42 Beaumont Road Mt Kuring-gai NSW 2080 Australia PO Box 47 Mt Kuring-gai NSW 2080 Australia  
PHONE: +61 2 9457 8877 FAX: +61 2 9457 9596

CATS II MONITORING AVAILABLE

